



# wesstron

A critical part of each livestock building is the proper division of each chamber into pens. Systems of fencing and partition walls are used for that end and not only to separate individual groups of animals, but also to ensure their security, good health and proper living conditions. We offer two fencing systems: fences made of PVC profiles and fences in openwork steel.

## PVC fencing system

The fencing system based on PVC profiles is a universal solution for all processing groups of animals. The modular design allows building pens that always fit the existing layout of interior.

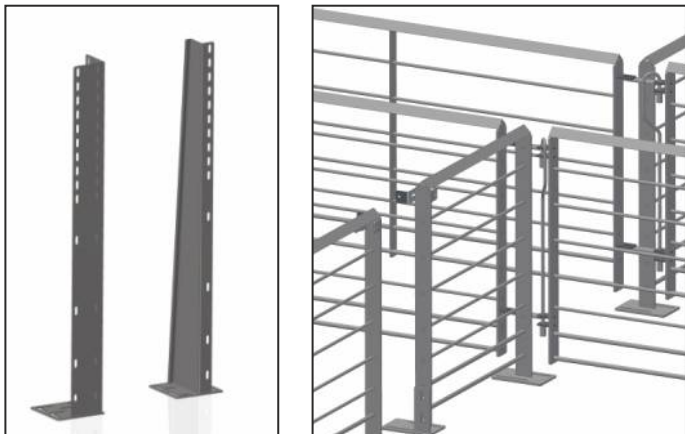
### ADVANTAGES:

- the smooth and hard surface of PVC profiles helps keeping the maximum sanitation of the sty
- the flexible design solutions of individual system components facilitate easy installation and removal,
- extreme durability through high-quality of materials,
- the posts and reinforcement hardware increases stability of pens,
- designed for all animal age groups.

## Fencing posts

The pen reinforcement by special posts is used in large pens, e.g. for numerous groups of fattening pigs, or group pens for sows.

The WESSTRON fencing posts are available in the following height variants: 500, 600, 800, 900, 1000 and 1200 mm



stainless steel and galvanized steel fencing posts

The basic elements of the system:

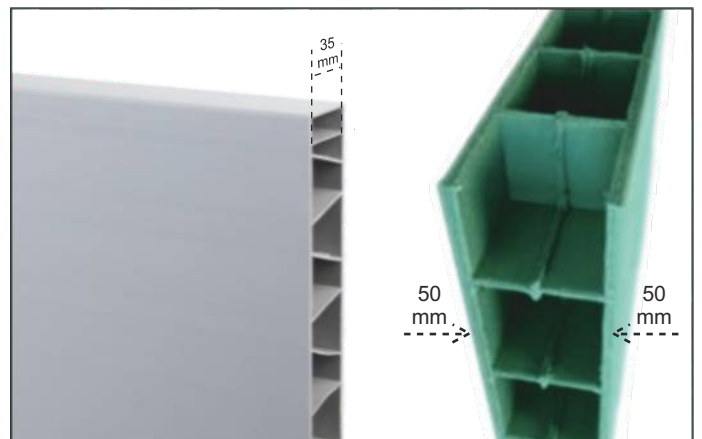
- pen's profiles made of gray PVC,
- reinforcement hardware and posts made of stainless steel or galvanized steel,
- mounting elements made of stainless steel.



the system of PVC profiles fencing in the gestation sector

## PVC pen sections

The pen walls in our offer are made of individual sections 35 mm thick and 200 or 250 mm high in high-quality plastic material, resistant to chemical attack. Each section has input and output sockets for fast joining. We also offer sections with thickness 35 mm and 50 mm and height - 500, 750 and 1000 mm high with smooth edge finish.



PVC section for pen wall building

# FENCING AND PARTITION WALL SYSTEM

## Openwork steel fencing systems

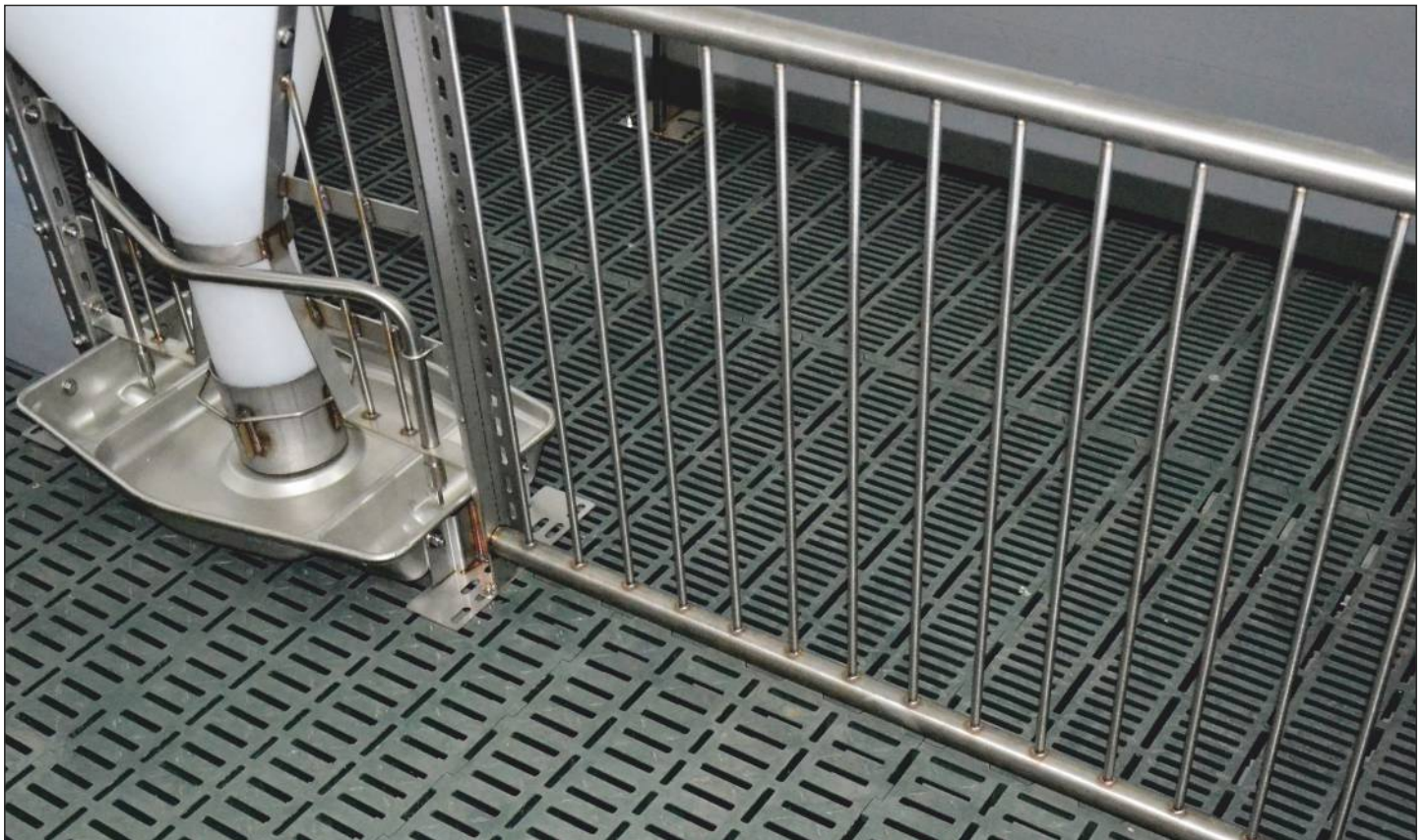
The openwork steel fencing systems are designed for all age groups of swine, and especially for very durable pens, e.g. for boar or sows. We also use them in fattening house. The openwork fencing is made of stainless steel or hot-dip galvanized steel pipes, square sections, bars and perforated sheets. Every system is built for custom processing designs agreed individually with the investor. The fencing parts can be DIY installed, thanks to the provided assembly drawings.

### ADVANTAGES:

- the stainless steel and hot-dip galvanized steel assures long life and durability of the fencing,
- the openwork design guarantees excellent air ventilation of the pens,
- the system parts are delivered in segments and very easy to install with threaded fasteners.



openwork fencing in the boar area



fattening house with an openwork fencing system